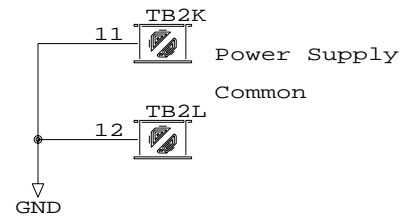
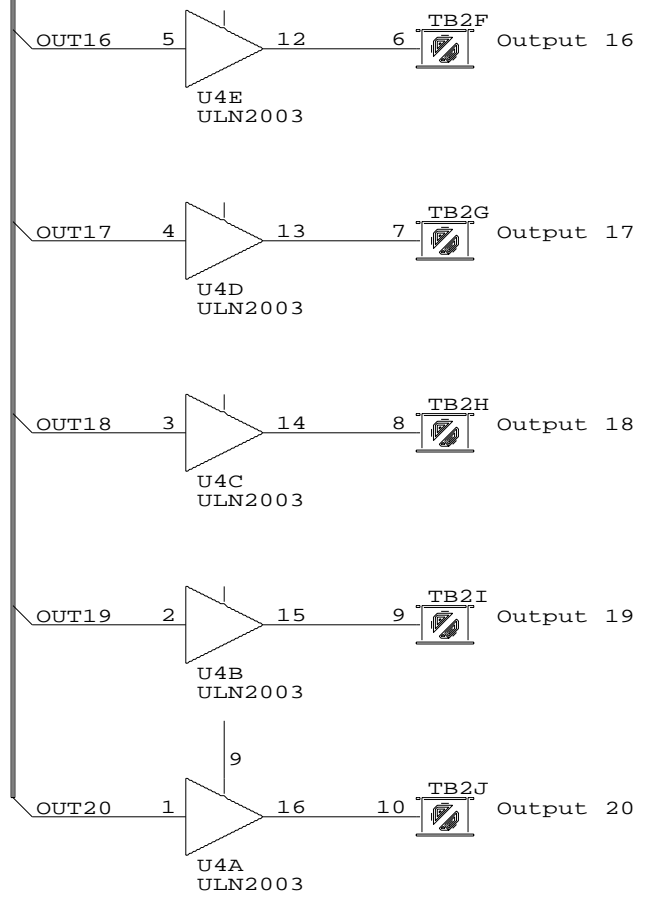
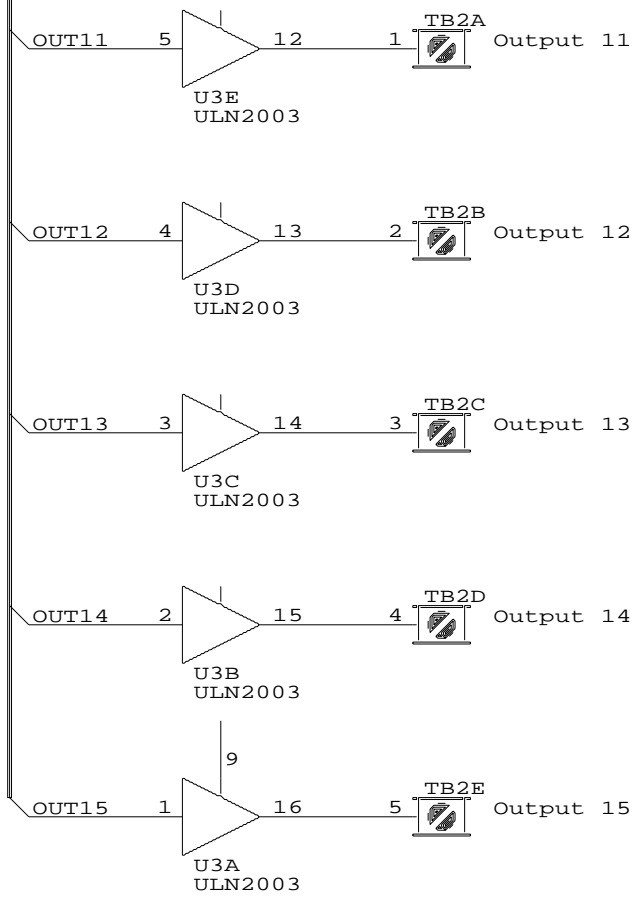
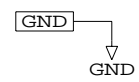


OUT[11..20]

OUT[11..20]



Jacksonville State University			
Title			
Driver Outputs 11-20			
Size	Document Number		REV
A			B
Date:	March 29, 1993	Sheet	3 of 5