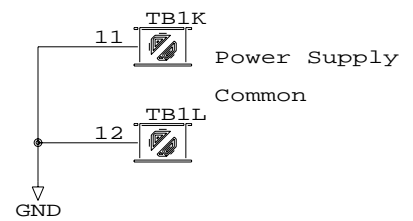
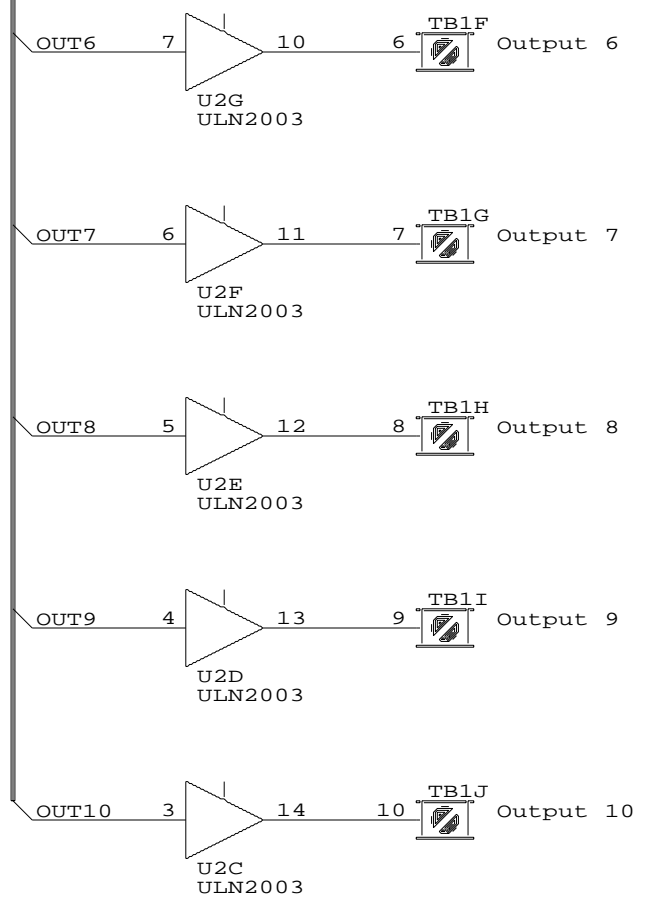
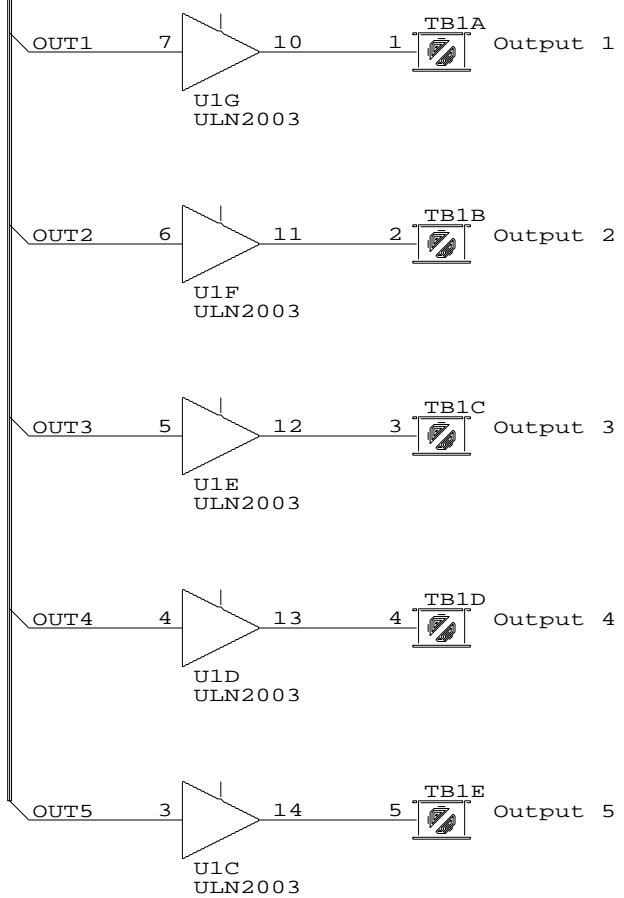


OUT[1..10]

OUT[1..10]

GND  
GND



Jacksonville State University			
Title Driver Outputs 1 to 10			
Size	Document Number		REV
A			B
Date:	March 29, 1993	Sheet	2 of 5