

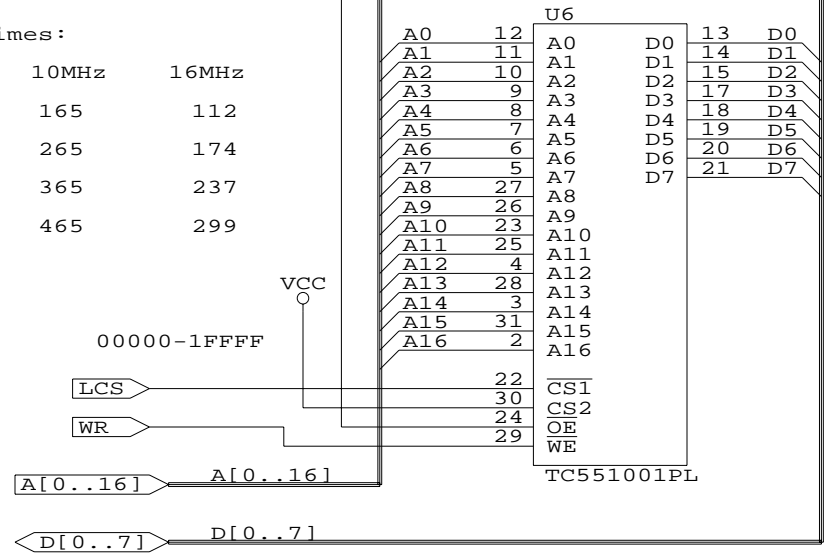
27C101G:
128K 250ns Max

27512:
64K 300ns Max

Compatible Parts:
Fuji MBM27C1001
Hit HN27C101G
Tosh TC571000D
Intel 27010-250V05
Fuji MDM27C512
Hit HN27512G
Tosh TC57512AD

Est access times:

	8Mhz	10Mhz	16Mhz
0 Wait	194	165	112
1 Wait	319	265	174
2 Wait	444	365	237
3 Wait	569	465	299



628128:
128K 120ns Max

62256:
32K 150ns Max

Compatible Parts:
Fuji MB841000
Hit HM628128
Tosh TC551001PL
Fuji MB84256P
Hit HM62256P
Tosh TC55257AP

Experimental Lab	
Jacksonville State University	
Title Experiment Controller (EB) Ram/ROM	
Size	Document Number
A	B
Date:	March 29, 1993
Sheet	2 of 9